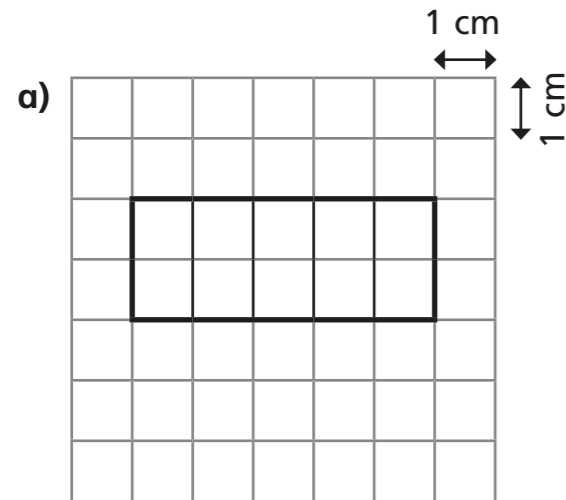
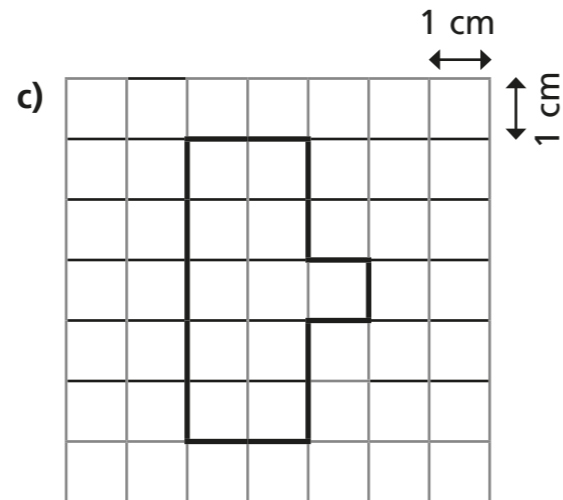
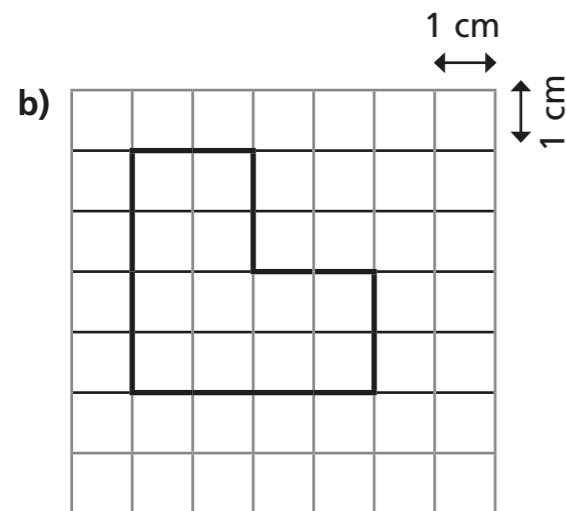


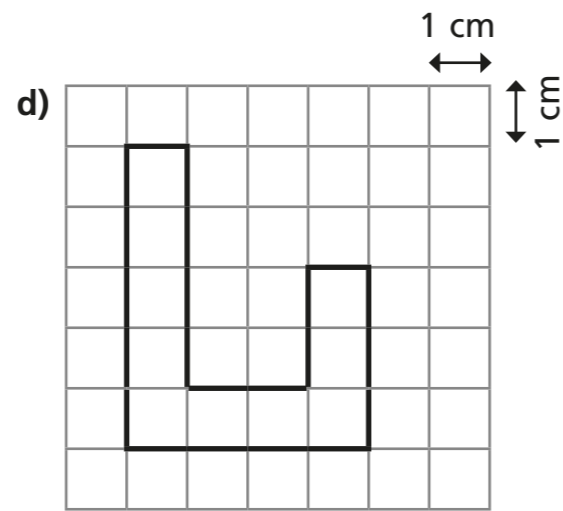
Calculate perimeter

1 Calculate the perimeter of each shape.

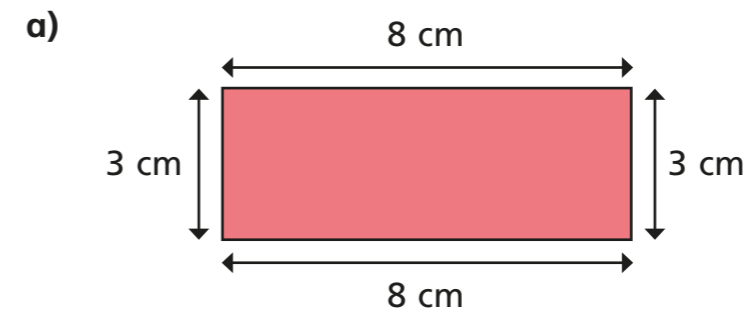


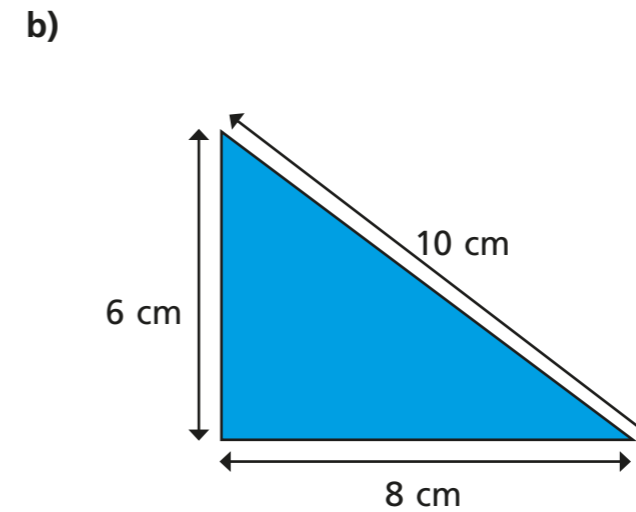




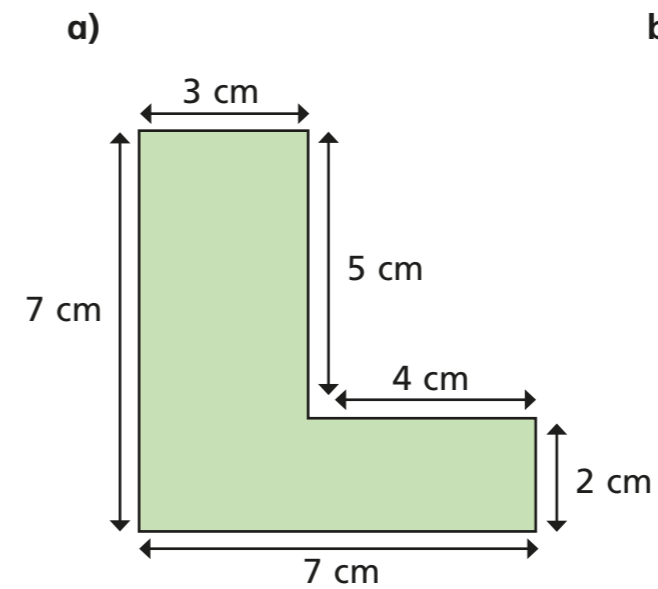


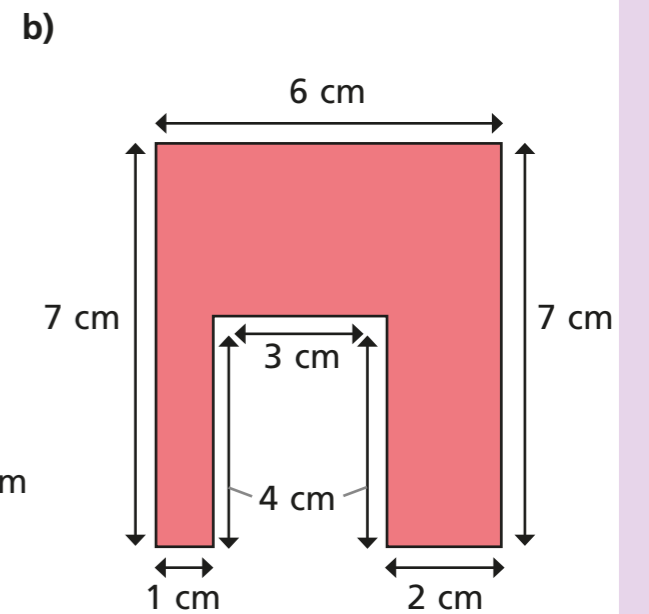
2 Calculate the perimeter of these shapes.



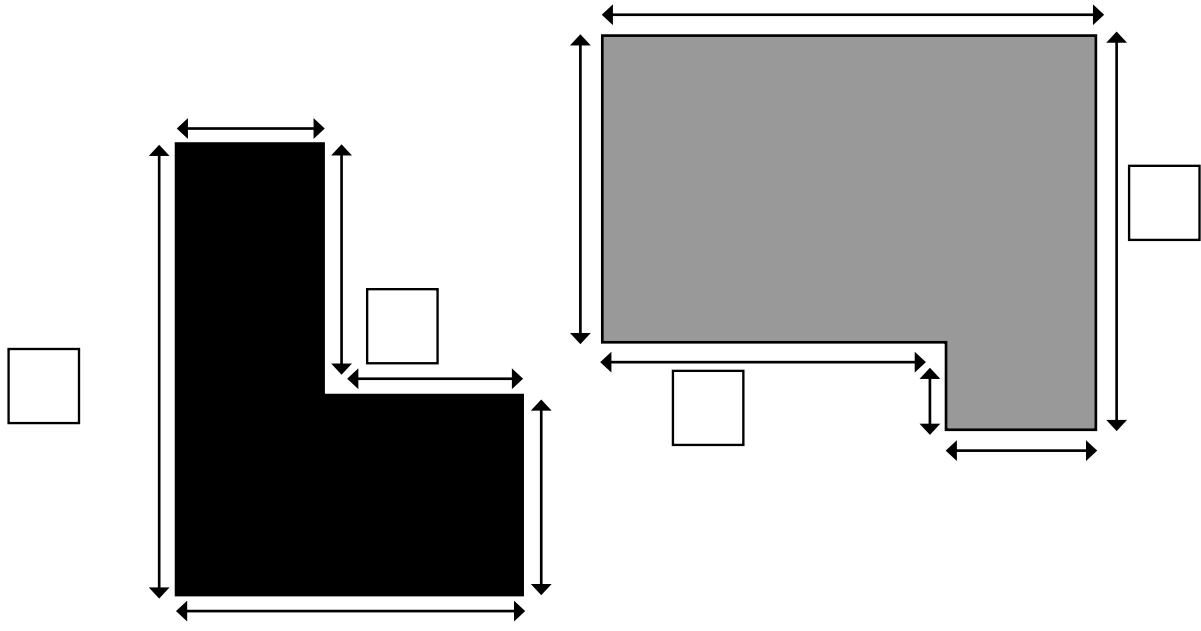


3 Calculate the perimeter of these shapes.





• •• •• •



• • • •• ••

